

Bath spout 15.2 cm with diverter valve
 Surfaces: **Chrome** Article Number: **13423000**



Description

product features

- 2 functions
- connection type: G ½
- with automatic resetting
- with escutcheon
- projection 152 mm
- wall-mounted
- maximum flow rate at 3 bar: 25 l/min
- connection dimension: DN15
- protected against backflow, according to DIN EN 1717

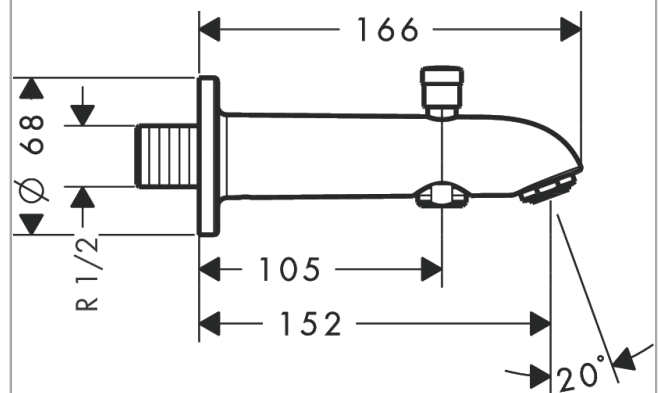
Technology



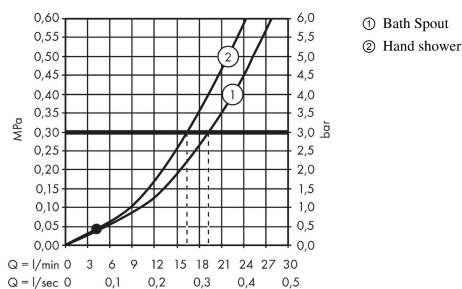
Product image



Scale drawing



Flowchart

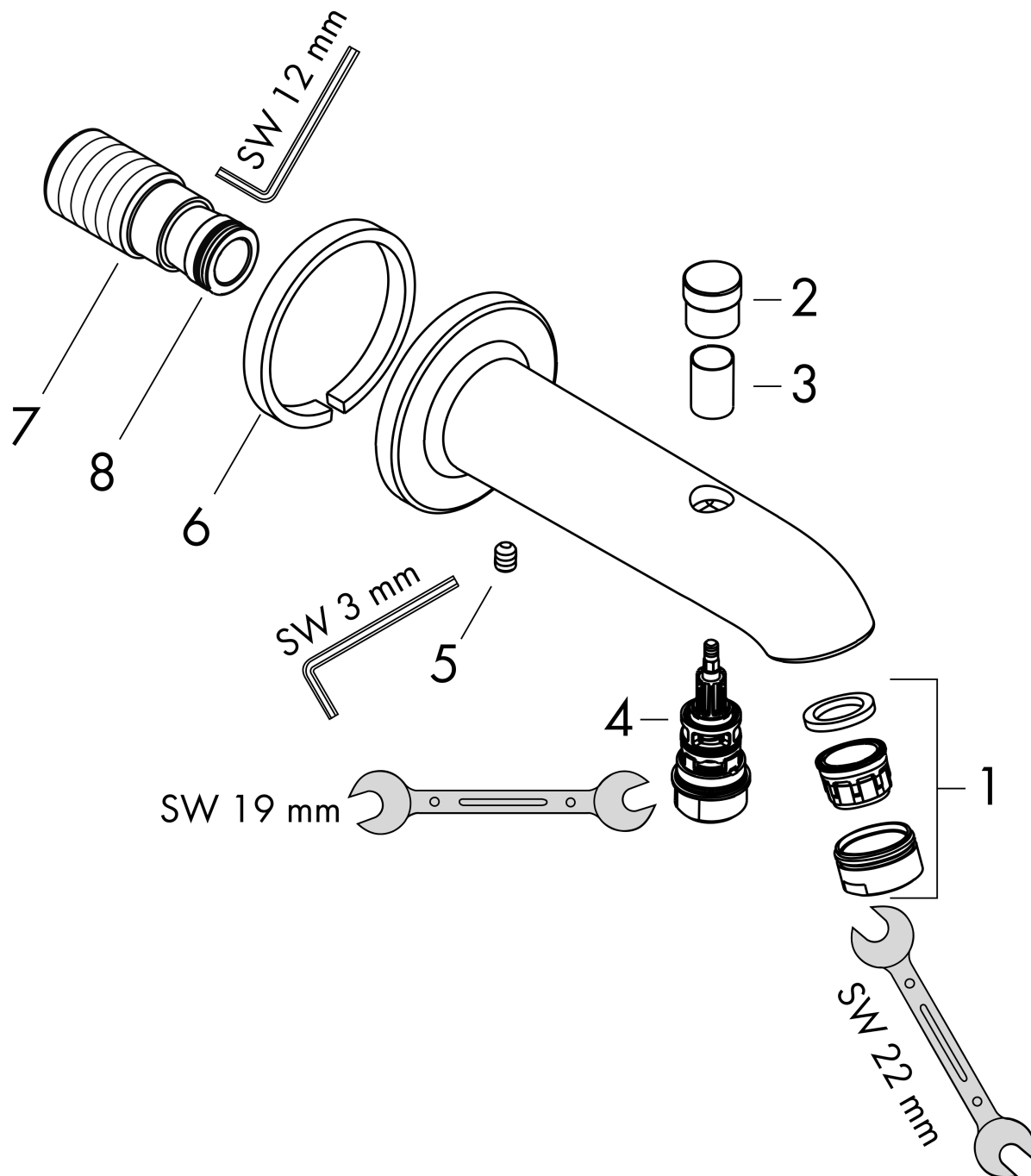


Bath spout 15.2 cm with diverter valve
 Surfaces: **Chrome** Article Number: **13423000**



Exploded Drawing

Year of production: >05/20



Bath spout 15.2 cm with diverter valveSurfaces: **Chrome** Article Number: **13423000****Spare part list**

Year of production: >05/20

Pos.	Description	Article Number	Price	PU
1	aerator M24x1 (25 l/min)	13914000	-	1
2	diverter knob	97981000	-	1
3	sleeve	97979000	-	1
4	selector	97978000	-	1
5	hollow set screw M6x8	97810000	-	1
6	seal	97530000	-	1
7	connecting thread G½	95739000	-	1
8	O-ring 16x2,5	98134000	-	1
a	diverter fixing device	97211000	-	1