

**Metropol**  
**Single lever bath mixer for exposed installation with loop handle**  
 Surfaces: **Chrome** Article Number: **74540000**



### Description

#### product features

- 2 functions
- projection 180 mm
- connection type: s-shaped connections
- centre distance: 150 ± 12 mm
- spray type mixer: normal spray
- flow rate for bath spout at 3 bar: 22 l/min
- flow rate of hand shower at 3 bar: 16 l/min
- min. operating pressure: 1 bar
- max. operating pressure: 10 bar
- ceramic cartridge
- temperature limitation adjustable
- diverter with automatic resetting
- protected against backflow, according to DIN EN 1717
- with silencer
- suitable for continuous flow water heaters
- connection dimension: DN15

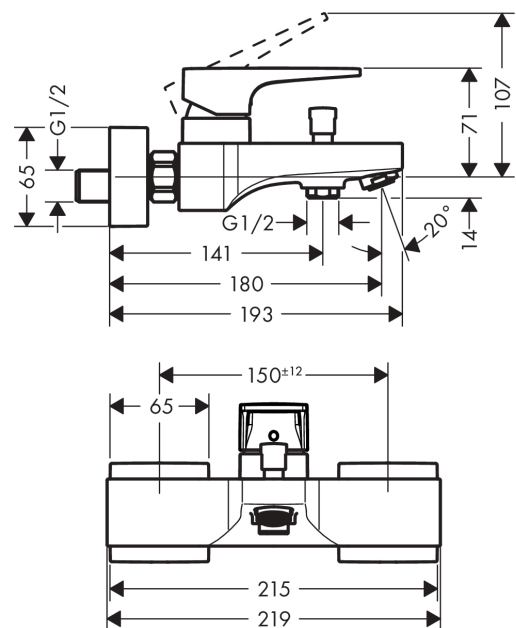
### Technology



### Product image



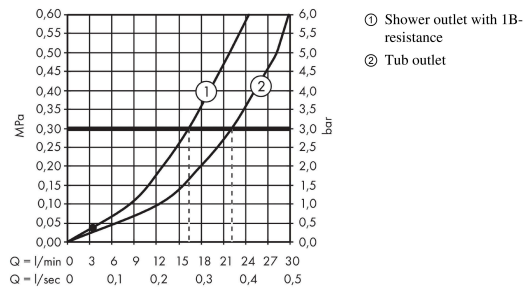
### Scale drawing



**Metropol**  
**Single lever bath mixer for exposed installation with loop handle**  
 Surfaces: **Chrome** Article Number: **74540000**



### Flowchart

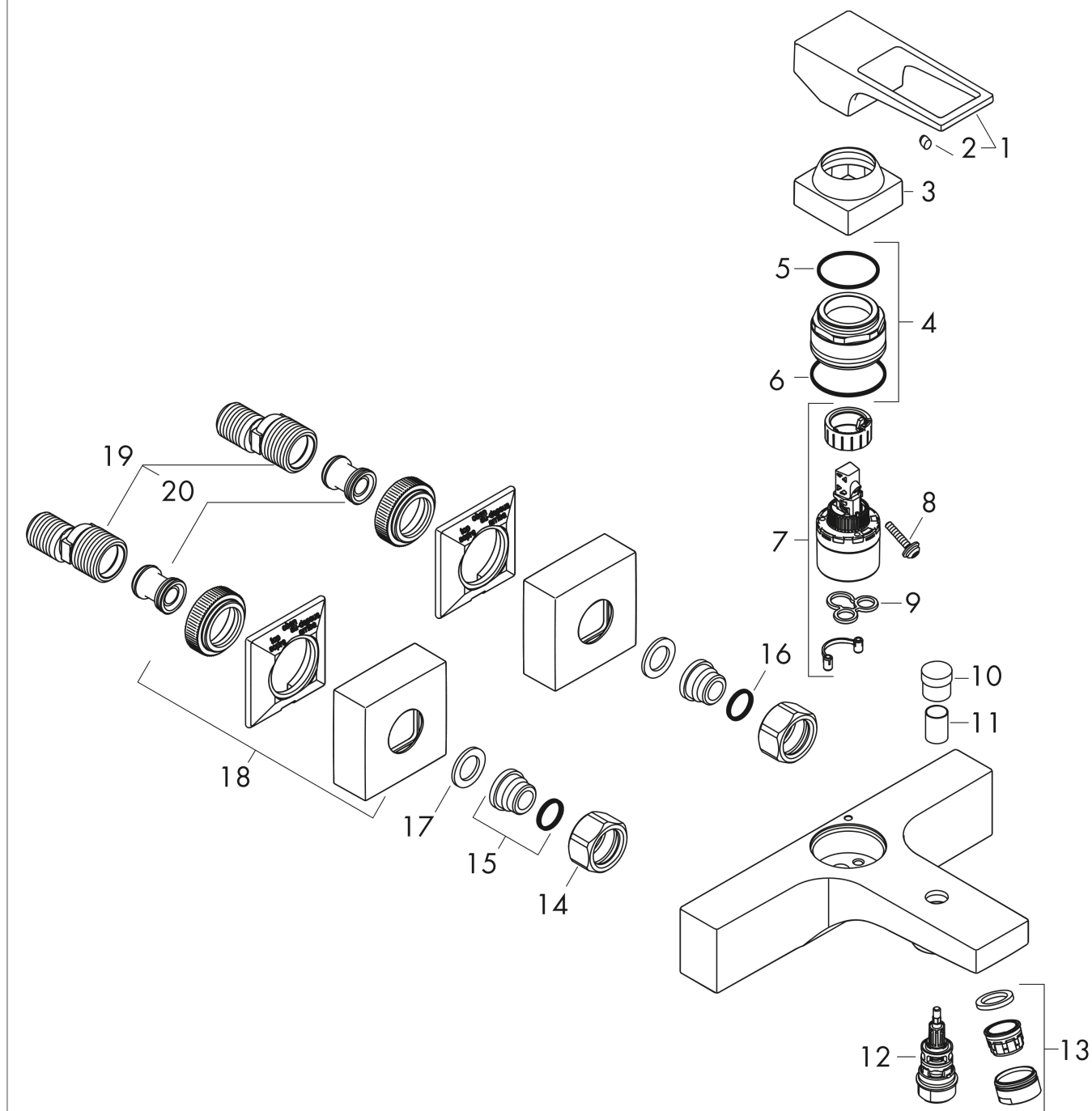


**Metropol**  
**Single lever bath mixer for exposed installation with loop handle**  
 Surfaces: **Chrome**    Article Number: **74540000**



## Exploded Drawing

Year of production: >04/17



**Metropol**  
**Single lever bath mixer for exposed installation with loop handle**  
 Surfaces: **Chrome** Article Number: **74540000**



## Spare part list

Year of production: >04/17

Pos.	Description	Article Number	Price	PU
1	handle	93076000	-	1
2	screw cover	96338000	-	1
3	flange	93078000	-	1
4	nut	93079000	-	1
5	O-Ring 30x2	98186000	-	1
6	O-ring 33x1,5	98164000	-	1
7	cartridge, assy	92730000	-	1
8	locking screw for handle	95140000	-	1
9	seal	95008000	-	1
10	diverter knob	97981000	-	1
11	sleeve	97979000	-	1
12	selector	97978000	-	1
13	aerator M24x1 (30 l/min)	96512000	-	1
14	set of nuts	96157000	-	1
15	connecting thread	97220000	-	1
16	O-ring 15x2	98163000	-	1
17	filter packing	96922000	-	1
18	escutcheon	93077000	-	1
19	set of S-unions (±12 mm)	94140000	-	1
20	noise reduction	96429000	-	1