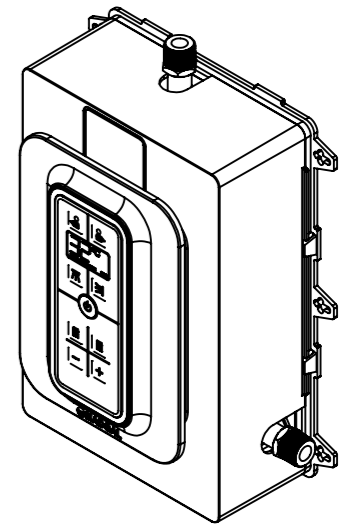
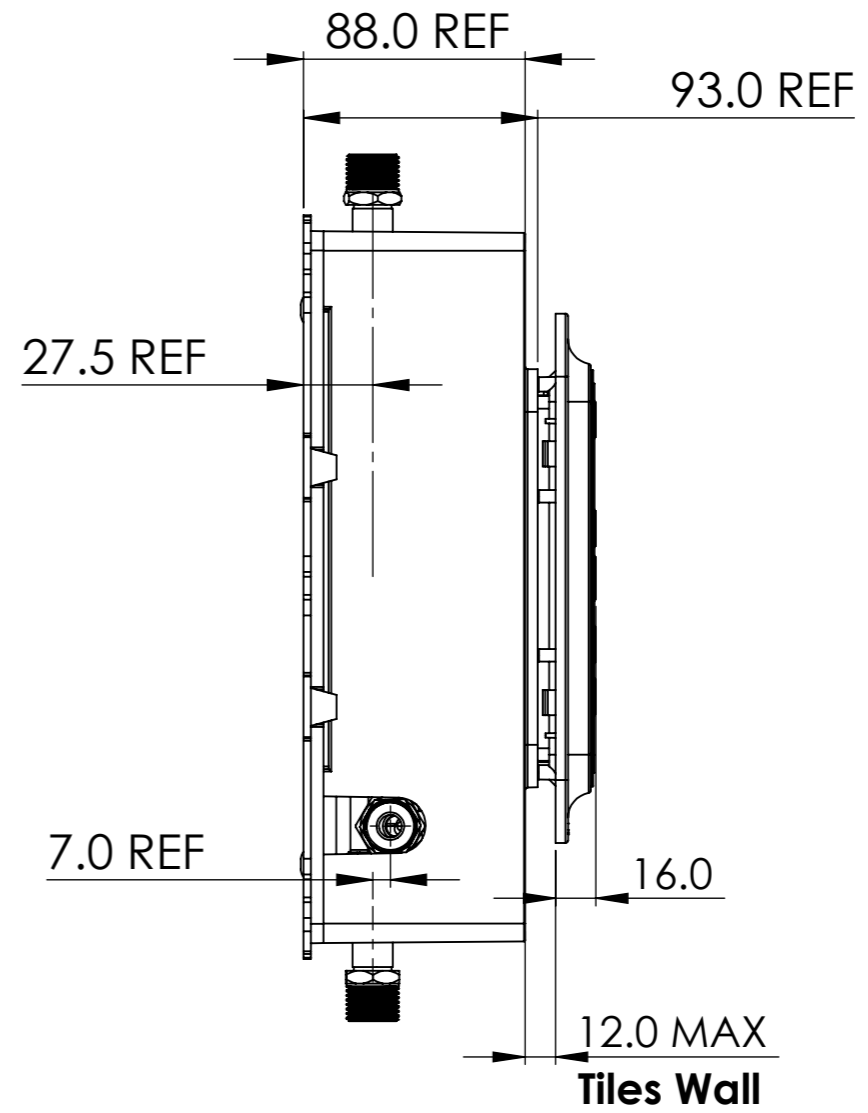
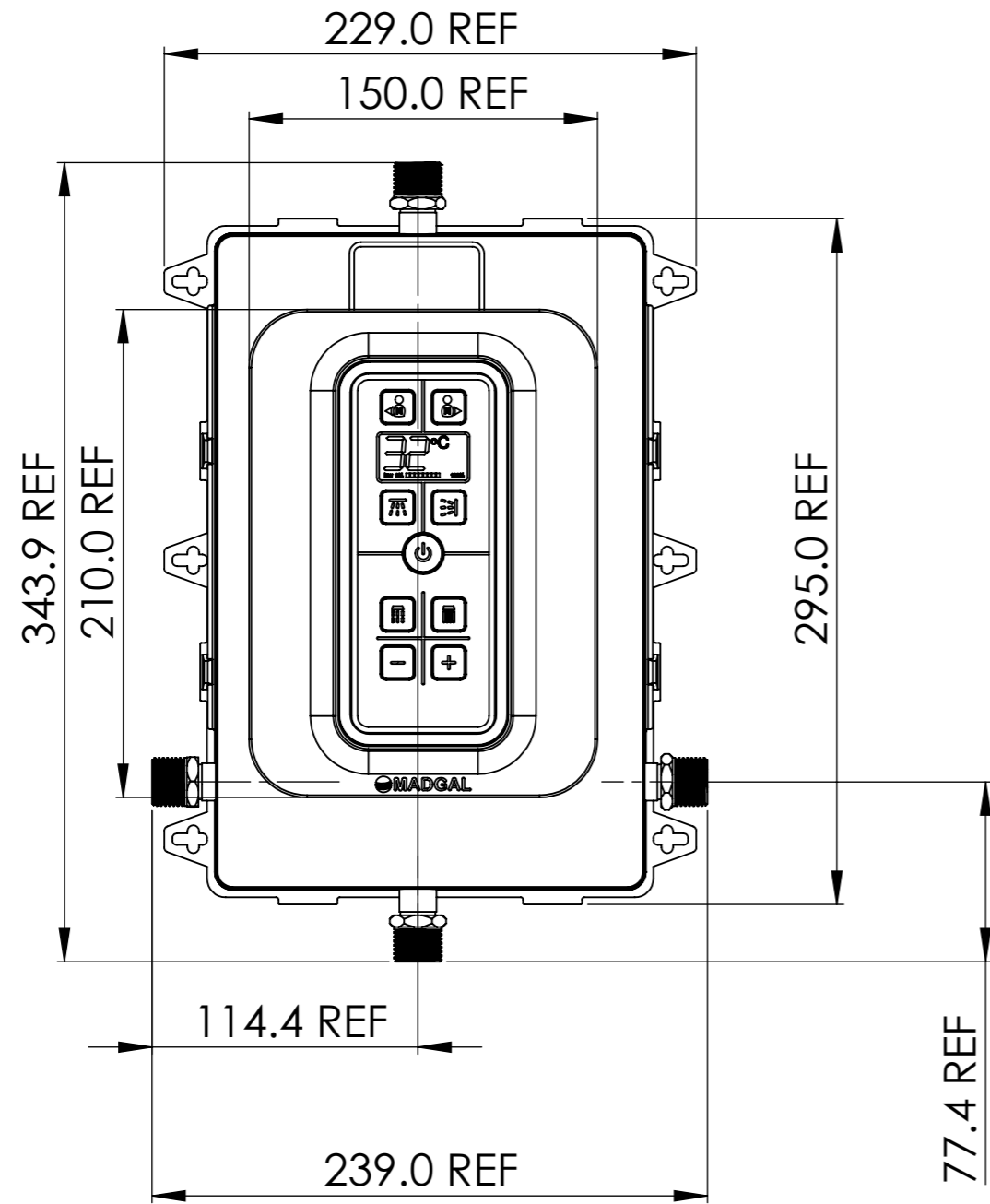


Reference Dimensions for Assembly



UNLESS OTHERWISE SPECIFIED - DIMENSIONS ARE IN MILLIMETERS

TOLERANCES		
FROM	UP TO	TOLERANCE
0	6	±0.05
6	30	±0.1
30	120	±0.15
120	400	±0.2

ANGLE		TOLERANCE
		±0.5°

	NAME	SIGNATURE	DATE
Designed	.		25/10/2012 11:25:57
Drawn	Igor		07/11/2012 09:03:26
Checked	.		
Approved	.		

PROJECT: Thermostatic Valve 2.10 (BY)		
TITLE: Update-10-07-12 Assem		
SCALE: 1:5	Revision: -01	Status: Design
MATERIAL: SW-Material@Part7.SLDPRT		
FINISH:		WEIGHT: [gr]
SHEET 2 OF 2		

Reference Dimensions for Wall Tickness Maximum-89



MADGAL

GLIL-YAM 46905 ISRAEL
 E-MAIL: info@madgal.co.il
 WEB: www.madgal.co.il

tel: 972-9-9528944
 fax: 972-9-9528983

