

## Metris S

Bath spout 15.2 cm with diverter valve

Surfaces: **Chrome** Article Number: **31417000**



### Description

#### product features

- 2 functions
- connection type: G 1/2
- with automatic resetting
- with escutcheon
- projection 152 mm
- wall-mounted
- maximum flow rate at 3 bar: 19 l/min
- connection dimension: DN15
- protected against backflow, according to DIN EN 1717

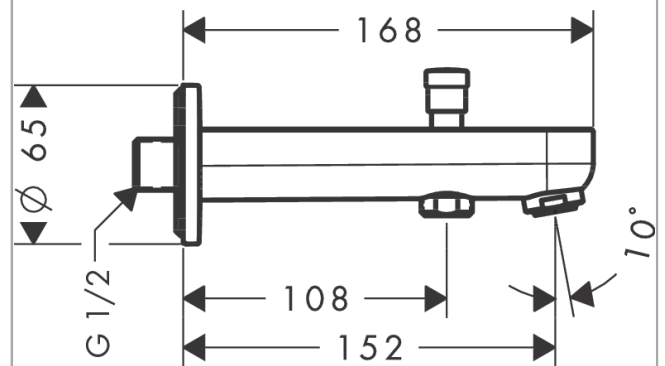
### Technology



### Product image



### Scale drawing



### Flowchart

