

Bath spout

Surfaces: **Chrome** Article Number: **13414000**



Description

product features

- 1 function
- with silencer
- with escutcheon
- projection 147 mm
- wall-mounted
- maximum flow rate at 3 bar: 27,5 l/min
- connection dimension: DN20

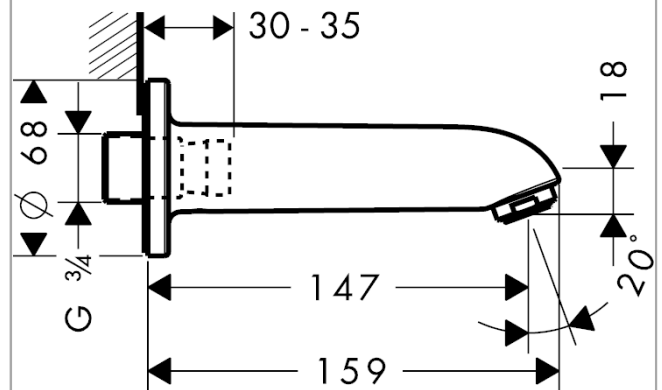
Technology



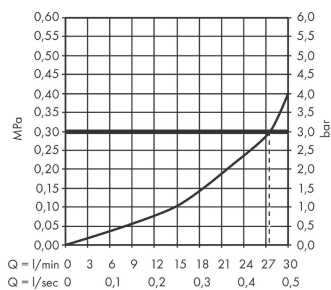
Product image



Scale drawing



Flowchart



The consumption was measured in combination with the appropriate fittings (thermostat/mixer/ in-wall valve) to reflect actual application in practice.

Bath spout

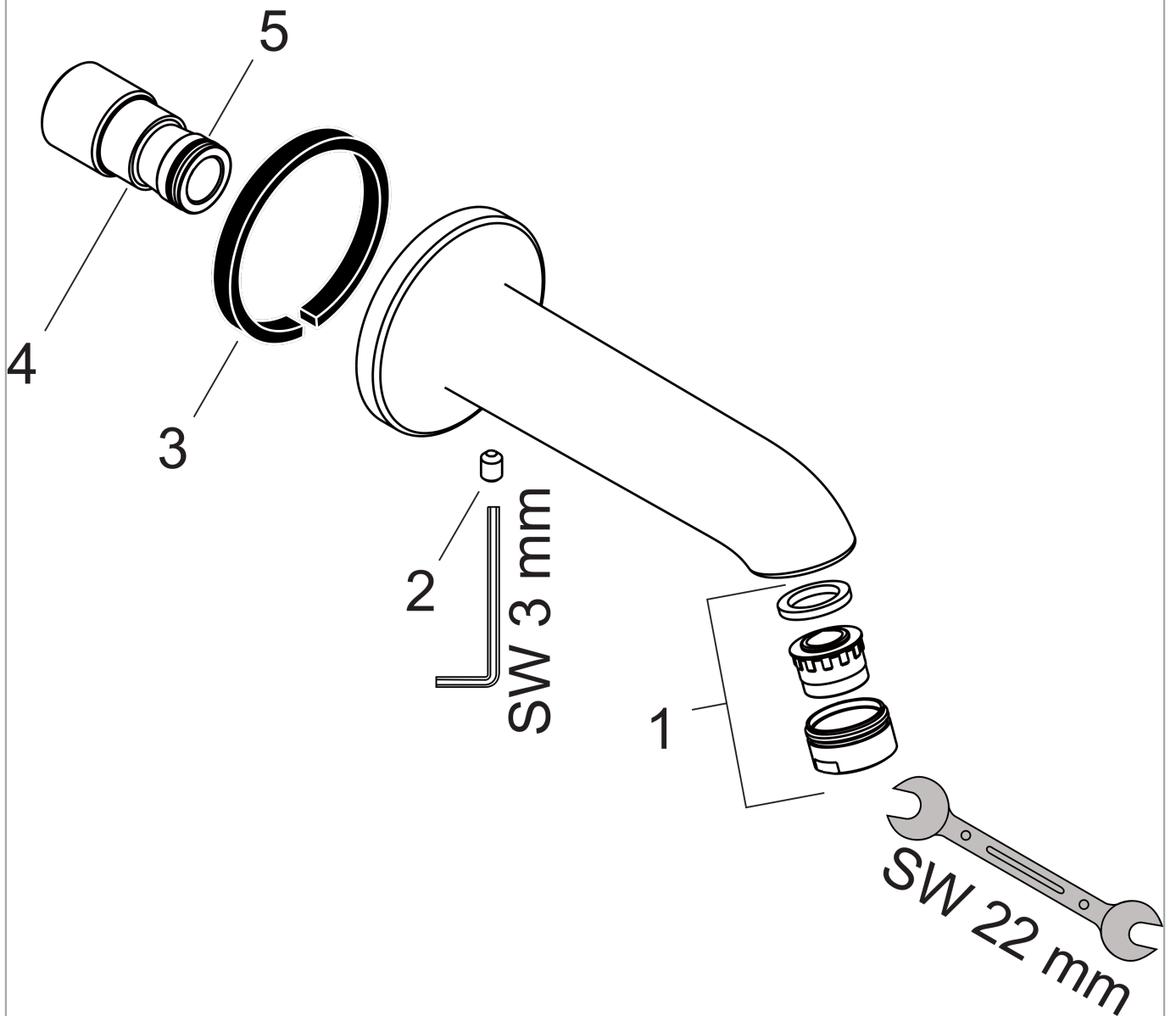
Surfaces: **Chrome**

Article Number: **13414000**



Exploded Drawing

Year of production: >10/06



Bath spout

Surfaces: **Chrome** Article Number: **13414000**



Spare part list

Year of production: >10/06

Pos.	Description	Article Number	Price	PU
1	aerator M24x1 (25 l/min)	13914000	-	1
2	hollow set screw M6x8	97810000	-	1
3	seal	97530000	-	1
4	connecting thread G $\frac{3}{4}$	96472000	-	1
5	O-ring 16x2,5	98134000	-	1
a	connecting thread G $\frac{1}{2}$	97228000	-	1